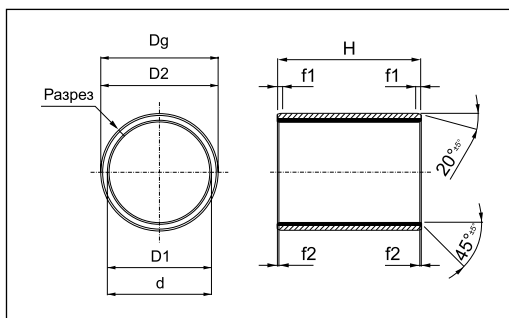


Размеры цилиндрических подшипников указаны в соответствии со стандартом ISO 3547

Артикул изделия:

| | | | |
|----------|-------|----|----|
| MU | P | 20 | 15 |
| | Форма | D1 | H |
| Материал | | | |

Допустимые отклонения:
Длина (H) = ±0.25



| Артикул изделия | D1 | D2 | H | D1 (После установки) | Dg (Диаметр корпуса) | d (Диаметр стержня) |
|-----------------|----|-----|----|----------------------|----------------------|---------------------|
| MU P 0303 | 03 | 4.5 | 03 | 3.000 ÷ 3.048 | 4.500 ÷ 4.508 | 2.994 ÷ 3.000 |
| MU P 0304 | | | 04 | | | |
| MU P 0305 | | | 05 | | | |
| MU P 0306 | | | 06 | | | |
| MU P 0403 | 04 | 5.5 | 03 | 4.000 ÷ 4.048 | 5.500 ÷ 5.508 | 3.992 ÷ 4.000 |
| MU P 0404 | | | 04 | | | |
| MU P 0406 | | | 06 | | | |
| MU P 0410 | | | 10 | | | |
| MU P 0505 | 05 | 07 | 05 | 4.990 ÷ 5.055 | 7.000 ÷ 7.015 | 4.978 ÷ 4.990 |
| MU P 0508 | | | 08 | | | |
| MU P 0510 | | | 10 | | | |
| MU P 0604 | 06 | 08 | 04 | 5.990 ÷ 6.055 | 8.000 ÷ 8.015 | 5.978 ÷ 5.990 |
| MU P 0606 | | | 06 | | | |
| MU P 0608 | | | 08 | | | |
| MU P 0710 | 07 | 09 | 10 | 6.990 ÷ 7.055 | 9.000 ÷ 9.015 | 6.972 ÷ 6.987 |
| MU P 0806 | 08 | 10 | 06 | 7.990 ÷ 8.055 | 10.000 ÷ 10.015 | 7.972 ÷ 7.987 |
| MU P 0808 | | | 08 | | | |
| MU P 0810 | | | 10 | | | |
| MU P 0812 | | | 12 | | | |
| MU P 1008 | 10 | 12 | 08 | 9.990 ÷ 10.058 | 12.000 ÷ 12.018 | 9.972 ÷ 9.987 |
| MU P 1010 | | | 10 | | | |
| MU P 1012 | | | 12 | | | |
| MU P 1015 | | | 15 | | | |
| MU P 1020 | | | 20 | | | |
| MU P 1208 | 12 | 14 | 08 | 11.990 ÷ 12.058 | 14.000 ÷ 14.018 | 11.966 ÷ 11.984 |
| MU P 1210 | | | 10 | | | |
| MU P 1212 | | | 12 | | | |
| MU P 1215 | | | 15 | | | |
| MU P 1220 | | | 20 | | | |
| MU P 1225 | 25 | | | | | |
| MU P 1310 | 13 | 15 | 10 | 12.990 ÷ 13.058 | 15.000 ÷ 15.018 | 12.966 ÷ 12.984 |
| MU P 1320 | | | 20 | | | |
| MU P 1405 | 14 | 16 | 05 | 13.990 ÷ 14.058 | 16.000 ÷ 16.018 | 13.966 ÷ 13.984 |
| MU P 1410 | | | 10 | | | |
| MU P 1412 | | | 12 | | | |
| MU P 1415 | | | 15 | | | |
| MU P 1420 | | | 20 | | | |
| MU P 1425 | 25 | | | | | |
| MU P 1510 | 15 | 17 | 10 | 14.990 ÷ 15.058 | 17.000 ÷ 17.018 | 14.966 ÷ 14.984 |
| MU P 1512 | | | 12 | | | |
| MU P 1515 | | | 15 | | | |
| MU P 1520 | | | 20 | | | |
| MU P 1525 | | | 25 | | | |

| Артикул изделия | D1 | D2 | H | D1 (После установки) | Dg (Диаметр корпуса) | d (Диаметр стержня) |
|-----------------|----|----|----|----------------------|----------------------|---------------------|
| MU P 1610 | 16 | 18 | 10 | 15.990 ÷ 16.058 | 18.000 ÷ 18.018 | 15.966 ÷ 15.984 |
| MU P 1612 | | | 12 | | | |
| MU P 1615 | | | 15 | | | |
| MU P 1620 | | | 20 | | | |
| MU P 1625 | | | 25 | | | |
| MU P 1715 | 17 | 19 | 15 | 16.990 ÷ 17.058 | 19.000 ÷ 19.021 | 16.966 ÷ 16.984 |
| MU P 1720 | | | 20 | | | |
| MU P 1810 | 18 | 20 | 10 | 17.990 ÷ 18.061 | 20.000 ÷ 20.021 | 17.966 ÷ 17.984 |
| MU P 1815 | | | 15 | | | |
| MU P 1820 | | | 20 | | | |
| MU P 1825 | | | 25 | | | |
| MU P 202210 | 20 | 22 | 10 | 19.990 ÷ 20.061 | 22.000 ÷ 22.021 | 19.959 ÷ 19.980 |
| MU P 202215 | | | 15 | | | |
| MU P 202220 | | | 20 | | | |
| MU P 2010 | 20 | 23 | 10 | 19.990 ÷ 20.071 | 23.000 ÷ 23.021 | 19.959 ÷ 19.980 |
| MU P 2015 | | | 15 | | | |
| MU P 2020 | | | 20 | | | |
| MU P 2025 | | | 25 | | | |
| MU P 2030 | | | 30 | | | |
| MU P 2215 | 22 | 25 | 15 | 21.990 ÷ 22.071 | 25.000 ÷ 25.021 | 21.959 ÷ 21.980 |
| MU P 2220 | | | 20 | | | |
| MU P 2225 | | | 25 | | | |
| MU P 2230 | | | 30 | | | |
| MU P 242715 | 24 | 27 | 15 | 23.990 ÷ 24.071 | 27.000 ÷ 27.021 | 23.959 ÷ 23.980 |
| MU P 242720 | | | 20 | | | |
| MU P 242725 | | | 25 | | | |
| MU P 242730 | | | 30 | | | |
| MU P 2415 | 24 | 28 | 15 | 23.990 ÷ 24.081 | 28.000 ÷ 28.021 | 23.959 ÷ 23.980 |
| MU P 2420 | | | 20 | | | |
| MU P 2425 | | | 25 | | | |
| MU P 2430 | | | 30 | | | |
| MU P 2512 | 25 | 28 | 12 | 24.990 ÷ 25.071 | 28.000 ÷ 28.021 | 24.959 ÷ 24.980 |
| MU P 2515 | | | 15 | | | |
| MU P 2520 | | | 20 | | | |
| MU P 2525 | | | 25 | | | |
| MU P 2530 | | | 30 | | | |
| MU P 2550 | | | 50 | | | |
| MU P 2815 | 28 | 32 | 15 | 27.990 ÷ 28.085 | 32.000 ÷ 32.025 | 27.959 ÷ 27.980 |
| MU P 2820 | | | 20 | | | |
| MU P 2825 | | | 25 | | | |
| MU P 2830 | | | 30 | | | |
| MU P 3010 | 30 | 34 | 10 | 29.990 ÷ 30.085 | 34.000 ÷ 34.025 | 29.959 ÷ 29.980 |
| MU P 3015 | | | 15 | | | |
| MU P 3020 | | | 20 | | | |
| MU P 3025 | | | 25 | | | |
| MU P 3030 | | | 30 | | | |
| MU P 3040 | | | 40 | | | |
| MU P 3220 | 32 | 36 | 20 | 31.990 ÷ 32.085 | 36.000 ÷ 36.025 | 31.950 ÷ 31.975 |
| MU P 3230 | | | 30 | | | |
| MU P 3240 | | | 40 | | | |
| MU P 3520 | 35 | 39 | 20 | 34.990 ÷ 35.085 | 39.000 ÷ 39.025 | 34.950 ÷ 34.975 |
| MU P 3530 | | | 30 | | | |
| MU P 3535 | | | 35 | | | |
| MU P 3540 | | | 40 | | | |
| MU P 3550 | | | 50 | | | |

| Артикул изделия | D1 | D2 | H | D1 (После установки) | Dg (Диаметр корпуса) | d (Диаметр стержня) |
|-----------------|-----|-----|-----|----------------------|----------------------|---------------------|
| MU P 3720 | 37 | 41 | 20 | 36.990 ÷ 37.085 | 41.000 ÷ 41.025 | 36.950 ÷ 36.975 |
| MU P 4020 | 40 | 44 | 20 | 39.990 ÷ 40.085 | 44.000 ÷ 44.025 | 39.950 ÷ 39.975 |
| MU P 4030 | | | 30 | | | |
| MU P 4040 | | | 40 | | | |
| MU P 4045 | | | 45 | | | |
| MU P 4050 | | | 50 | | | |
| MU P 4520 | 45 | 50 | 20 | 44.990 ÷ 45.105 | 50.000 ÷ 50.025 | 44.950 ÷ 44.975 |
| MU P 4530 | | | 30 | | | |
| MU P 4540 | | | 40 | | | |
| MU P 4545 | | | 45 | | | |
| MU P 4550 | | | 50 | | | |
| MU P 5020 | 50 | 55 | 20 | 49.990 ÷ 50.110 | 55.000 ÷ 55.030 | 49.950 ÷ 49.975 |
| MU P 5025 | | | 25 | | | |
| MU P 5030 | | | 30 | | | |
| MU P 5040 | | | 40 | | | |
| MU P 5050 | | | 50 | | | |
| MU P 5060 | | | 60 | | | |
| MU P 5520 | | | 55 | | | |
| MU P 5525 | 25 | | | | | |
| MU P 5530 | 30 | | | | | |
| MU P 5540 | 40 | | | | | |
| MU P 5550 | 50 | | | | | |
| MU P 5555 | 55 | | | | | |
| MU P 5560 | 60 | | | | | |
| MU P 6020 | 60 | 65 | 20 | 59.990 ÷ 60.110 | 65.000 ÷ 65.030 | 59.940 ÷ 59.970 |
| MU P 6030 | | | 30 | | | |
| MU P 6040 | | | 40 | | | |
| MU P 6050 | | | 50 | | | |
| MU P 6060 | | | 60 | | | |
| MU P 6070 | | | 70 | | | |
| MU P 6530 | | | 65 | | | |
| MU P 6540 | 40 | | | | | |
| MU P 6550 | 50 | | | | | |
| MU P 6570 | 70 | | | | | |
| MU P 7040 | 70 | 75 | 40 | 69.990 ÷ 70.110 | 75.000 ÷ 75.030 | 69.940 ÷ 69.970 |
| MU P 7050 | | | 50 | | | |
| MU P 7060 | | | 60 | | | |
| MU P 7070 | | | 70 | | | |
| MU P 7540 | 75 | 80 | 40 | 74.990 ÷ 75.110 | 80.000 ÷ 80.030 | 74.940 ÷ 74.970 |
| MU P 7550 | | | 50 | | | |
| MU P 7560 | | | 60 | | | |
| MU P 7570 | | | 70 | | | |
| MU P 7580 | | | 80 | | | |
| MU P 8060 | 80 | 85 | 60 | 80.020 ÷ 80.155 | 85.000 ÷ 85.035 | 79.954 ÷ 80.000 |
| MU P 8080 | | | 80 | | | |
| MU P 80100 | | | 100 | | | |
| MU P 8530 | 85 | 90 | 30 | 85.020 ÷ 85.155 | 90.000 ÷ 90.035 | 84.946 ÷ 85.000 |
| MU P 8560 | | | 60 | | | |
| MU P 85100 | | | 100 | | | |
| MU P 9060 | 90 | 95 | 60 | 90.020 ÷ 90.155 | 95.000 ÷ 95.035 | 89.946 ÷ 90.000 |
| MU P 90100 | | | 100 | | | |
| MU P 9560 | 95 | 100 | 60 | 95.020 ÷ 95.155 | 100.000 ÷ 100.035 | 94.946 ÷ 95.000 |
| MU P 95100 | | | 100 | | | |
| MU P 10050 | 100 | 105 | 50 | 100.020 ÷ 100.155 | 105.000 ÷ 105.035 | 99.946 ÷ 100.000 |
| MU P 10060 | | | 60 | | | |

| Артикул изделия | D1 | D2 | H | D1 (После установки) | Dg (Диаметр корпуса) | d (Диаметр стержня) |
|-----------------|-----|-----|-----|----------------------|----------------------|---------------------|
| MU P 10070 | 100 | 105 | 70 | 100.020 ÷ 100.155 | 105.000 ÷ 105.035 | 99.946 ÷ 100.000 |
| MU P 10080 | | | 80 | | | |
| MU P 100100 | | | 100 | | | |
| MU P 100115 | | | 115 | | | |
| MU P 10560 | 105 | 110 | 60 | 105.020 ÷ 105.155 | 110.000 ÷ 110.035 | 104.946 ÷ 105.000 |
| MU P 105100 | | | 100 | | | |
| MU P 105115 | | | 115 | | | |
| MU P 11060 | 110 | 115 | 60 | 110.020 ÷ 110.155 | 115.000 ÷ 115.035 | 109.946 ÷ 110.000 |
| MU P 110100 | | | 100 | | | |
| MU P 110115 | | | 115 | | | |
| MU P 11550 | 115 | 120 | 50 | 115.020 ÷ 115.155 | 120.000 ÷ 120.035 | 114.946 ÷ 115.000 |
| MU P 11560 | | | 60 | | | |
| MU P 11570 | | | 70 | | | |
| MU P 115115 | | | 115 | | | |
| MU P 12050 | 120 | 125 | 50 | 120.070 ÷ 120.210 | 125.000 ÷ 125.040 | 119.946 ÷ 120.000 |
| MU P 12060 | | | 60 | | | |
| MU P 120100 | | | 100 | | | |
| MU P 12560 | 125 | 130 | 60 | 125.070 ÷ 125.210 | 130.000 ÷ 130.040 | 124.937 ÷ 125.000 |
| MU P 125100 | | | 100 | | | |
| MU P 13060 | 130 | 135 | 60 | 130.070 ÷ 130.210 | 135.000 ÷ 135.040 | 129.937 ÷ 130.000 |
| MU P 130100 | | | 100 | | | |
| MU P 13560 | 135 | 140 | 60 | 135.070 ÷ 135.210 | 140.000 ÷ 140.040 | 134.937 ÷ 135.000 |
| MU P 13580 | | | 80 | | | |
| MU P 135100 | | | 100 | | | |
| MU P 14060 | 140 | 145 | 60 | 140.070 ÷ 140.210 | 145.000 ÷ 145.040 | 139.937 ÷ 140.000 |
| MU P 140100 | | | 100 | | | |
| MU P 14560 | 145 | 150 | 60 | 145.070 ÷ 145.210 | 150.000 ÷ 150.040 | 144.937 ÷ 145.000 |
| MU P 145100 | | | 100 | | | |
| MU P 15060 | 150 | 155 | 60 | 150.070 ÷ 150.210 | 155.000 ÷ 155.040 | 149.937 ÷ 150.000 |
| MU P 15080 | | | 80 | | | |
| MU P 150100 | | | 100 | | | |
| MU P 15560 | 155 | 160 | 60 | 155.070 ÷ 155.210 | 160.000 ÷ 160.040 | 154.937 ÷ 155.000 |
| MU P 155100 | | | 100 | | | |
| MU P 16060 | 160 | 165 | 60 | 160.070 ÷ 160.210 | 165.000 ÷ 165.040 | 159.937 ÷ 160.000 |
| MU P 16080 | | | 80 | | | |
| MU P 160100 | | | 100 | | | |
| MU P 16560 | 165 | 170 | 60 | 165.070 ÷ 165.210 | 170.000 ÷ 170.040 | 164.937 ÷ 165.000 |
| MU P 165100 | | | 100 | | | |
| MU P 17060 | 170 | 175 | 60 | 170.070 ÷ 170.210 | 175.000 ÷ 175.040 | 169.937 ÷ 170.000 |
| MU P 170100 | | | 100 | | | |
| MU P 17560 | 175 | 180 | 60 | 175.070 ÷ 175.210 | 180.000 ÷ 180.040 | 174.937 ÷ 175.000 |
| MU P 175100 | | | 100 | | | |
| MU P 18060 | 180 | 185 | 60 | 180.070 ÷ 180.216 | 185.000 ÷ 185.046 | 179.937 ÷ 180.000 |
| MU P 18080 | | | 80 | | | |
| MU P 180100 | | | 100 | | | |
| MU P 19060 | 190 | 195 | 60 | 190.070 ÷ 190.216 | 195.000 ÷ 195.046 | 189.928 ÷ 190.000 |
| MU P 190100 | | | 100 | | | |
| MU P 20060 | 200 | 205 | 60 | 200.070 ÷ 200.216 | 205.000 ÷ 205.046 | 199.928 ÷ 200.000 |
| MU P 200100 | | | 100 | | | |
| MU P 20560 | 205 | 210 | 60 | 205.070 ÷ 205.216 | 210.000 ÷ 210.046 | 204.928 ÷ 205.000 |
| MU P 205100 | | | 100 | | | |
| MU P 21060 | 210 | 215 | 60 | 210.070 ÷ 210.216 | 215.000 ÷ 215.046 | 209.928 ÷ 210.000 |
| MU P 210100 | | | 100 | | | |
| MU P 21560 | 215 | 220 | 60 | 215.070 ÷ 215.216 | 220.000 ÷ 220.046 | 214.928 ÷ 215.000 |
| MU P 215100 | | | 100 | | | |

| Артикул изделия | D1 | D2 | H | D1 (После установки) | Dg (Диаметр корпуса) | d (Диаметр стержня) |
|-----------------|-----|-----|-----|----------------------|----------------------|---------------------|
| MU P 22060 | 220 | 225 | 60 | 220.070 ÷ 220.216 | 225.000 ÷ 225.046 | 219.928 ÷ 220.000 |
| MU P 220100 | | | 100 | | | |
| MU P 23060 | 230 | 235 | 60 | 230.070 ÷ 230.216 | 235.000 ÷ 235.046 | 229.928 ÷ 230.000 |
| MU P 230100 | | | 100 | | | |
| MU P 24060 | 240 | 245 | 60 | 240.070 ÷ 240.216 | 245.000 ÷ 245.046 | 239.928 ÷ 240.000 |
| MU P 240100 | | | 100 | | | |
| MU P 25060 | 250 | 255 | 60 | 250.070 ÷ 250.222 | 255.000 ÷ 255.052 | 249.928 ÷ 250.000 |
| MU P 250100 | | | 100 | | | |
| MU P 28060 | 280 | 285 | 60 | 280.070 ÷ 280.222 | 285.000 ÷ 285.052 | 279.919 ÷ 280.000 |
| MU P 280100 | | | 100 | | | |
| MU P 30060 | 300 | 305 | 60 | 300.070 ÷ 300.222 | 305.000 ÷ 305.052 | 299.919 ÷ 300.000 |
| MU P 300100 | | | 100 | | | |

Допустимые размеры паза:

| Артикул | Артикул | f1 | f2 |
|-----------|-------------|-----------|-----------|
| MU P 0303 | MU P 0410 | 0.20÷0.80 | 0.10÷0.40 |
| MU P 0505 | MU P 1825 | 0.20÷1.00 | 0.10÷0.50 |
| MU P 2010 | MU P 2550 | 0.20÷1.00 | 0.10÷0.70 |
| MU P 2815 | MU P 4050 | 0.80÷1.60 | 0.10÷0.70 |
| MU P 4520 | MU P 300100 | 1.20÷2.40 | 0.20÷1.00 |