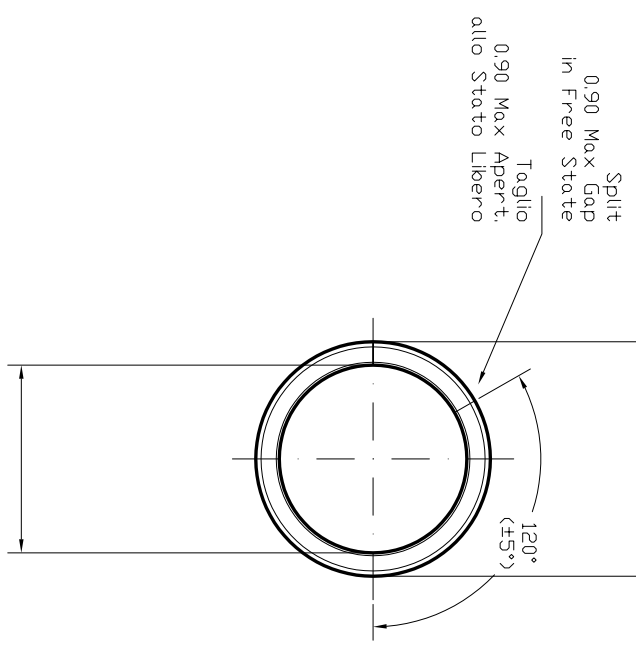
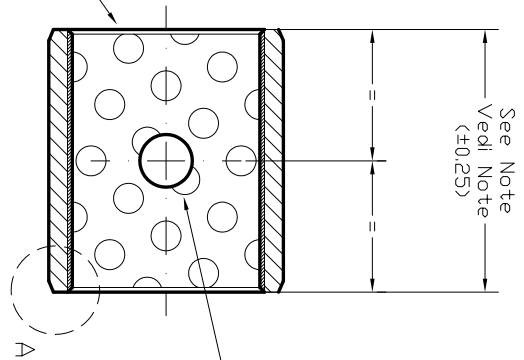


CODE	LENGTH (mm)	F _b (N)	WEIGHT (gr)
TFP 1010	10.00	1200	1.8
TFP 1012	12.00	1500	2.2
TFP 1015	15.00	1800	2.8
TFP 1020	20.00	2500	3.6

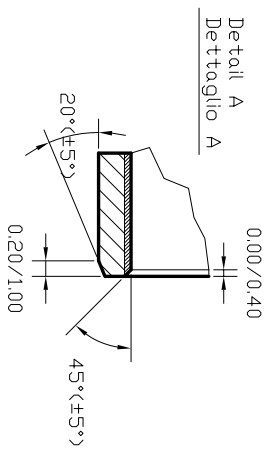
SEE CHECKING METHOD
VEDI METODO DI CONTROLLO



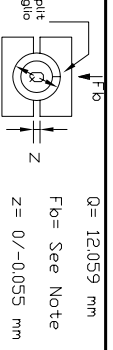
10.040/10.110
AFTER ASSEMBLY
IN HOUSING 12.000 H7
Dopo MONTAGGIO
IN SEDE 12.000 H7



SPHERICAL INDENTATION
ALVEOLI SFERICI



Detail A
Dettaglio A



Checking 'A' according
DIN 1494 Part 2
Controllo 'A' secondo
DIN 1494 Parte 2

Material/Materiale: FRIMIX
-Steel backing
-Porous sintered tin bronze
-PIM

TECHNYMON
SLIDING BEARINGS

REVISION NO.:	DATE:	DRAW:
REVISIONE NR.:	DATA:	DISSEGNO:
SIGNATURE		
CUSTOMER APPROVAL-DATE		
APPROVAZIONE CLIENTE-DATA		
FIRMA		

Checking 'C' according DIN 1494 Part 2	Shaft/Albero 12.000	Inside Dim. After Assly Diam. Interno Dopo Assembli. 10.040/10.110
Controllo 'C' secondo DIN 1494 Parte 2	9.978	10.040/10.110
Housing/Seede 12.018	10.000	
Drawn/Disegn	Checked/Contr.	Approved/Approv.

Part no/Code	Qty	Date
TFP 10...		20-07-99

Part name/Descrizione:
SLIDING BEARING

Weight
Peso
SEE NOTE
9

Drawing no./Disegno nr.
20P010

A4
1-1

THE INFORMATION CONTAINED IN THIS DRAWING IS THE
SOLE PROPERTY OF TECHNYYMON. SRI ANY REPRODUCTION
IN PART OR WHOLE WITHOUT THE WRITTEN
PERMISSION OF TECHNYYMON SRL IS PROHIBITED.