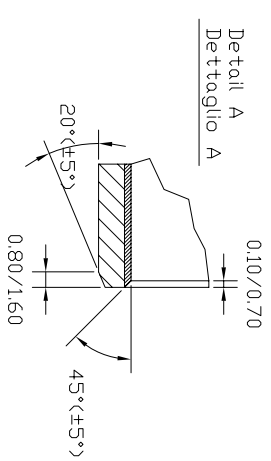
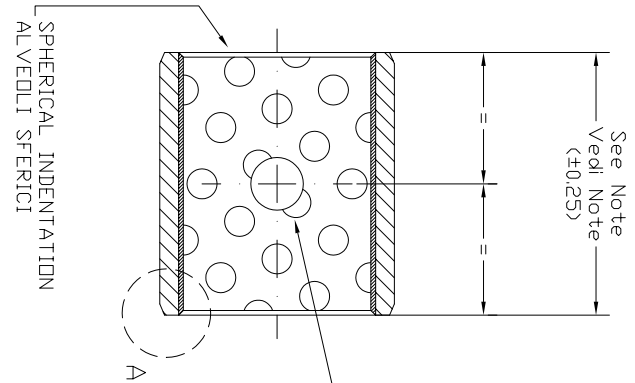
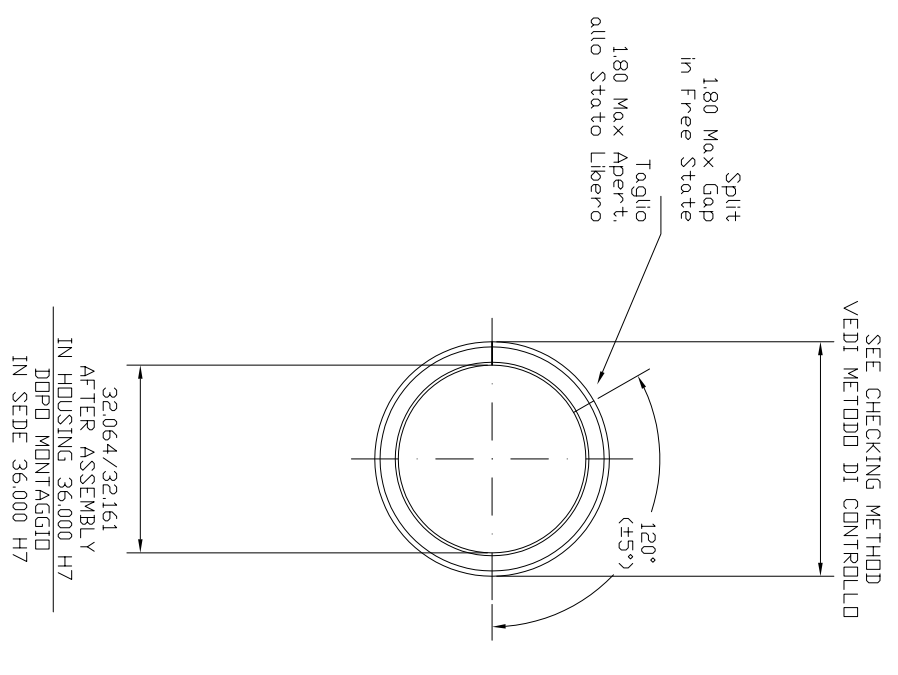



CODE	LENGTH (mm)	F ₀ (N)	WEIGHT (gr)
TFP 3220	20.00	5000	27.0
TFP 3230	30.00	7500	40.3
TFP 3235	35.00	9000	47.7
TFP 3240	40.00	10000	53.8



REV. NO.	CHANGE	DATE	DRAW
REVISION NO.:			
REVISIONE NR.:			
CUSTOMER APPROVAL-DATE			
APPROVAZIONE CLIENTE-DATA			
SIGNATURE			
FIRMA			

Checking "A" according DIN 1494 Part 2 Controllo "A" secondo DIN 1494 Parte 2	Checking "C" according DIN 1494 Part 2 Housing/Sede 36.000 36.025	Shaft/Albero 31.961 32.000	Controllo "C" secondo DIN 1494 Parte 2 Inside Diam. After Assly Diam. Interno Dopo Assembli. 32.064/32.161
q = 36.072 mm F ₀ = See Note z = 0/-0.065 mm	Drawn/Disegn	Checked/Contr.	Approved/Approv.

Material/Materiale:	FRIMIX
-Steel backing -Porous sintered tin bronze -PIM	
Scale	Part no./Code
Qty	TFP 32...
Date	21-07-99



TECHNYMON
SLIDING BEARINGS

Part name/Descrizione:
SLIDING BEARING

Weight
Peso
SEE
NOTE
9

Drawing no./Disegno nr.
20P032

A4
1-1

THE INFORMATION CONTAINED IN THIS DRAWING IS THE SOLE PROPERTY OF TECHNMYMON. s.r.l ANY REPRODUCTION IN PART OR WHOLE WITHOUT THE WRITTEN PERMISSION OF TECHNMYMON SRL IS PROHIBITED.