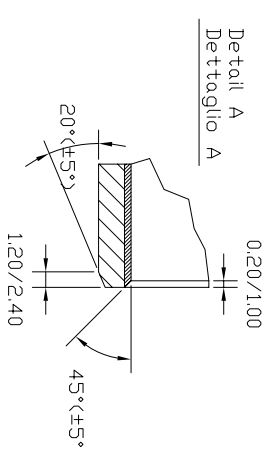
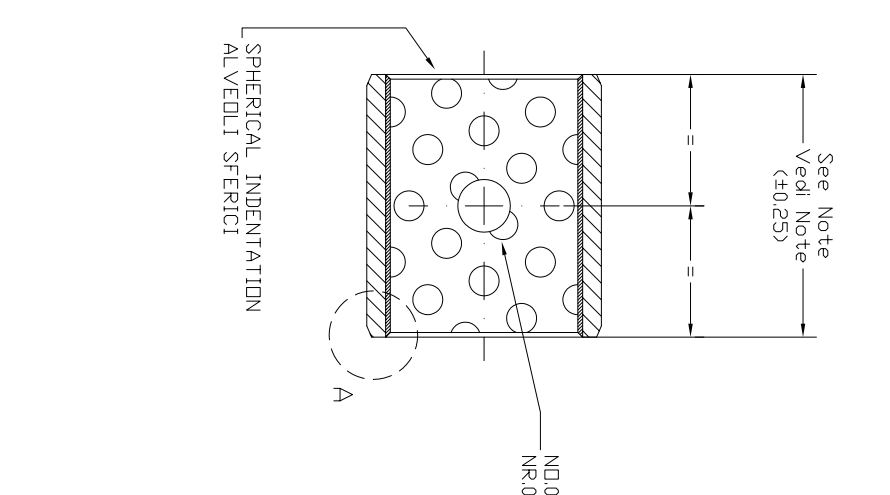
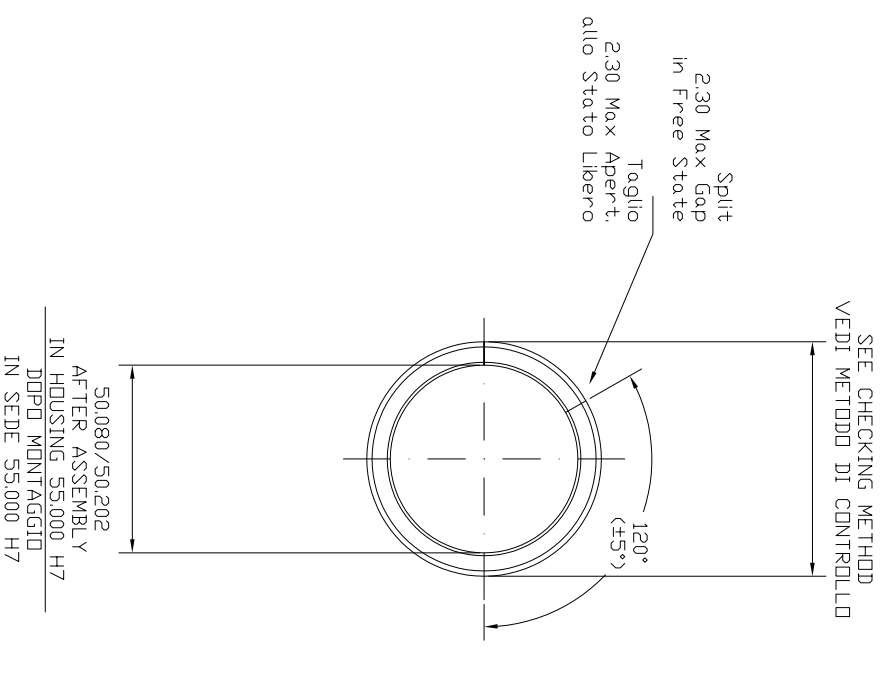


CODE	LENGTH (mm)	F _b (N)	WEIGHT (gr)
TFP 5040	40.00	8500	110.0
TFP 5050	50.00	11000	151.0
TFP 5060	60.00	13000	166.0



REV. NO.	CHANGE	DATE	DRAW
REVISIONI ND :			
REVISIONI NR :			
CUSTOMER APPROVAL-DATE			
APPROVAZIONE CLIENTE-DATA			
SIGNATURE			
FIRMA			

Checking "A" according DIN 1494 Part 2 Controllo "A" secondo DIN 1494 Parte 2	Checking "C" according DIN 1494 Part 2 Housing/Sede 55.000	Shaft/Albero 49.961	Inside Diam. After Assly Diam. Interno Dopo Assembli. 50.080/50.202
F _b F _b = See Note Z = 0/-0.070 mm	Controllo "C" secondo DIN 1494 Parte 2	Approved/Approv.	

Material/Materiale:	FRIMIX		
-Steel backing -Porous sintered tin bronze -PIM	Scale	Qty	Date
	Part no/Code	TFP 50...	21-07-99

	TECHNYMON SLIDING BEARINGS	Part name/Descrizione:	Weight Peso
		SLIDING BEARING	SEE NOTE 9
Drawing no./Disegno nr.	20P050	A4	1-1

THE INFORMATION CONTAINED IN THIS DRAWING IS THE SOLE PROPERTY OF TECHNMYMON. s.r.l ANY REPRODUCTION IN PART OR WHOLE WITHOUT THE WRITTEN PERMISSION OF TECHNMYMON SRL IS PROHIBITED.