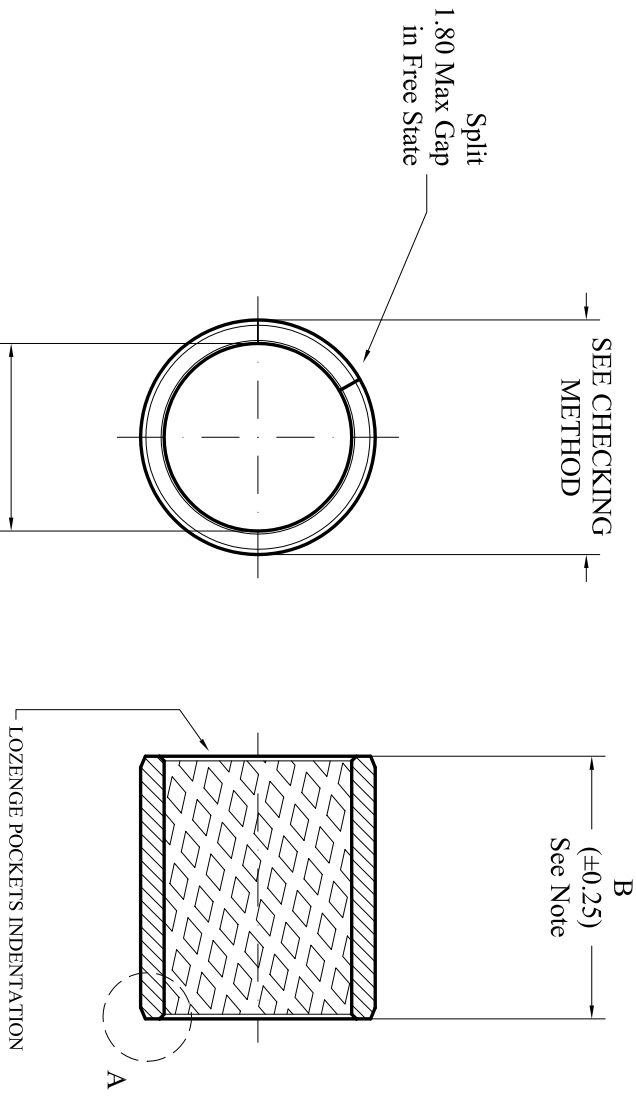
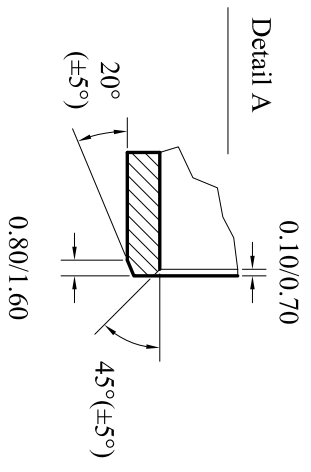


CODE	B (mm)	Fb (N)
TFP 404420	20,0	5500
TFP 404430	30,0	8000
TFP 404440	40,0	11000
TFP 404450	50,0	13500



AFTER ASSEMBLY
IN HOUSING 44.00 H7



REVISION NO.	DATE	DRAW
NO		
CHANGE		
REVISION NO.		
CUSTOMER APPROVAL-DATE		
APPROVAZIONE CLIENTE-DATA		
SIGNATURE		
FIRMA		

Checking "A" according ISO 3547-2 (DIN 1494-2) Controllo "A" secondo ISO 3547-2 (DIN 1494-2)	Checking "C" according ISO 3547-2 (DIN 1494-2) Housing/Sede 44.000 44.025	Shaft/Albero 39.950 39.975	Controllo "C" secondo ISO 3547-2 (DIN 1494-2) Inside Diam. After Assbl. 40.000 / 40.062
Q = 44,097 mm Fb = See Note Z = 0/0,065 mm	Drawn/Disegn	Checked/Contr.	Approved/Approv.

Material/Materiale: BRM-10 CuSn8	Scale	Qty	Date
Part no/Code TFP 40 44 ... BRM-10			06-06-03

	TECHNYMON SLIDING BEARINGS	Part name/Descrizione: SLIDING BEARING	Weight Peso g
		Drawing no./Disegno nr. 70P0400	issue 1 A4 1-1

THE INFORMATION CONTAINED IN THIS DRAWING IS THE
SOLE PROPERTY OF TECHNYYMON S.R.L. ANY REPRODUCTION
IN PART OR WHOLE WITHOUT THE WRITTEN
PERMISSION OF TECHNYYMON S.R.L IS PROHIBITED.