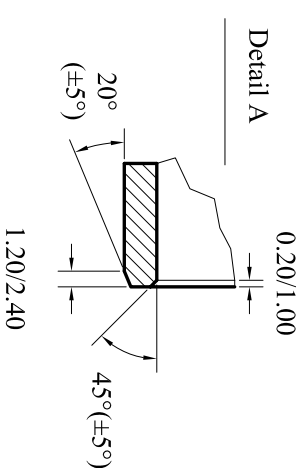
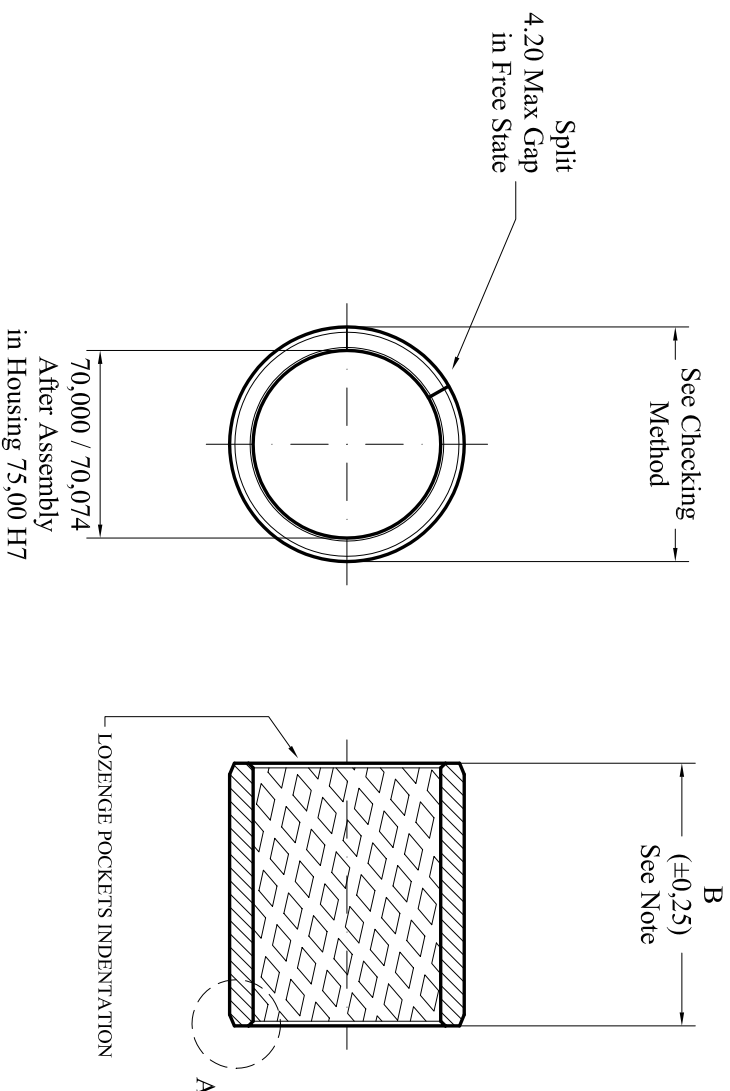


CODE	B (mm)	Fb (N)
TFP 707540	40,0	4500
TFP 707550	50,0	5500
TFP 707560	60,0	6500
TFP 707570	70,0	7500
TFP 707580	80,0	8500
TFP 707590	90,0	9500



REVISION NO.:	DATE:	DRAW:
NO. CHANGE:		
REVISION NR.:		
CUSTOMER APPROVAL-DATE:		
APPROVAZIONE CLIENTE-DATE:		
SIGNATURE:		
FIRMA:		

Checking "A" according to ISO 3547-2 (DIN 1494-2) Controllo "A" secondo ISO 3547-2 (DIN 1494-2)	Checking "C" according to ISO 3547-2 (DIN 1494-2) Controllo "C" secondo ISO 3547-2 (DIN 1494-2)	Shaft/Albero	Inside Diam. After Assbl. Diam. Interno Dopo Assmbl.
75,000	75,030	69,940	70,000 / 70,074
75,030	75,030	69,970	70,000 / 70,074

Material/Materiale:	BRM-10
CuSn8	
Scale	Qry
Part no/Code	Date
TFP 70 75 ... BRM-10	06-06-03

TECHNYMON SLIDING BEARINGS	
Part name/Descrizione:	Weight/Peso
SLIDING BEARING	g
Drawing no./Disegno nr.:	
70P0700	A4
issue 1	1-1

THE INFORMATION CONTAINED IN THIS DRAWING IS THE SOLE PROPERTY OF TECHNYYMON srl ANY REPRODUCTION IN PART OR WHOLE WITHOUT THE WRITTEN PERMISSION OF TECHNYYMON SRL IS PROHIBITED.