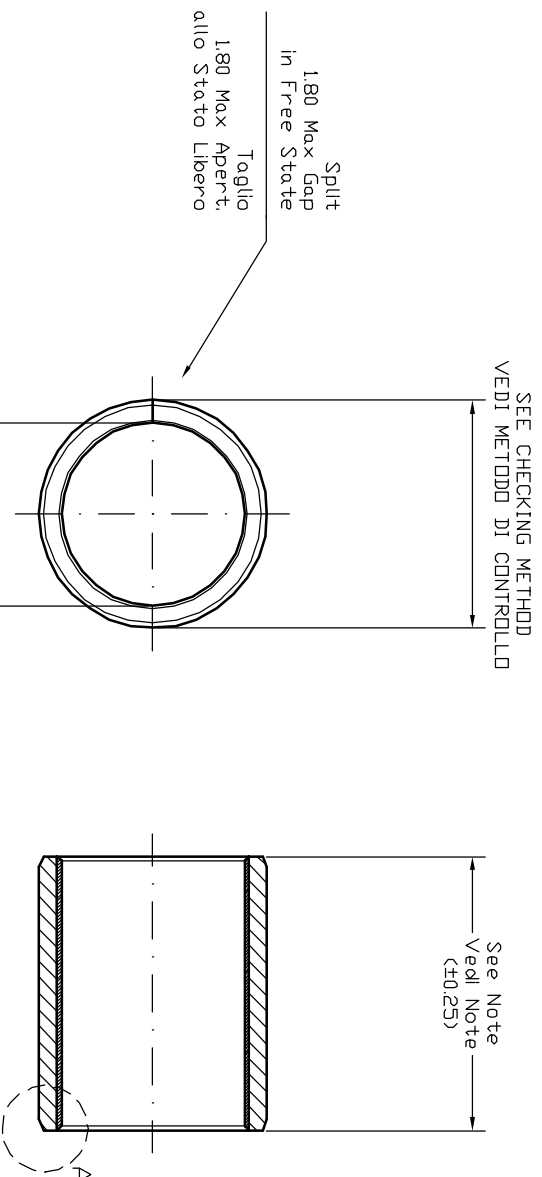
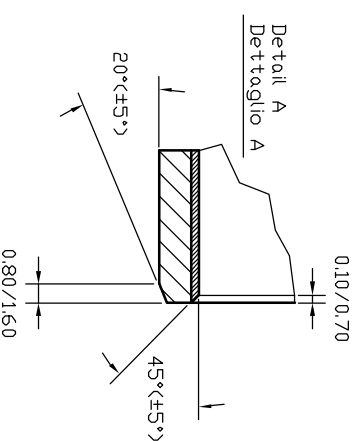


CODE	LENGTH (mm)	F ₀ (N)	WEIGHT (gr)
TFP2815	15.00	5000	21.7
TFP2820	20.00	6500	28.0
TFP2825	25.00	8000	35.3
TFP2830	30.00	9500	43.0



SEE CHECKING METHOD
VEDI METODO DI CONTROLLO


27.990/28.085
AFTER ASSEMBLY
IN HOUSING 32.000 H7
Dopo MONTAGGIO
IN SEDE 32.000 H7



REVISIONI			
R1	GENERAL REVISION	16/12/2004	S.V.
ND	CHANGE	DATE	DRAW
REVISIONI NR.: R1 16-12-2004			
CUSTOMER APPROVAL-DATE			
APPROVAZIONE CLIENTE-DATA			
SIGNATURE			
FIRMA			

Checking 'A' according to ISO 3847-2 (DIN 1494-2) Controllo 'A' secondo ISO 3847-2 (DIN 1494-2) taglio		Q = 32.072 mm F ₀ = See Note z = 0/-0.065 mm	
Checking 'C' according to DIN 1494 Part 2		Controllo 'C' secondo DIN 1494 Parte 2	
Housing/Sede	32.000	Shaft/Albero	27.959
	32.025		27.980
Drawn/Disegn	Checked/Contr.	Approved/Approv.	

Material/Materiale:	FRIMET
-Steel backing	
-Porous sintered tin bronze	
-PTFE Modified	
-Tin plating	
Scale	Qty
Part no/Code	Date
TFP 28...	16-07-99


TECHNYMON
SLIDING BEARINGS

Part name/Descrizione:
SLIDING BEARING

Weight/Peso: SEE NOTE 9

Drawing no./Disegno nr.: 10P028

A4
1-1

THE INFORMATION CONTAINED IN THIS DRAWING IS THE SOLE PROPERTY OF TECHNOMON S.R.L. ANY REPRODUCTION IN PART OR WHOLE WITHOUT THE WRITTEN PERMISSION OF TECHNOMON S.R.L. IS PROHIBITED.