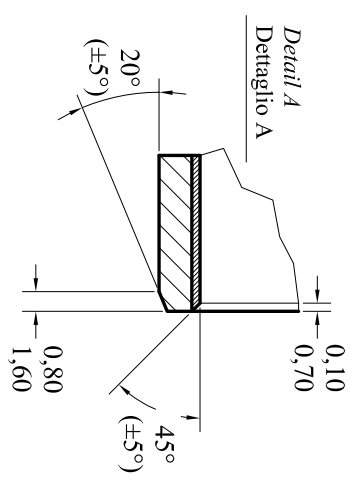
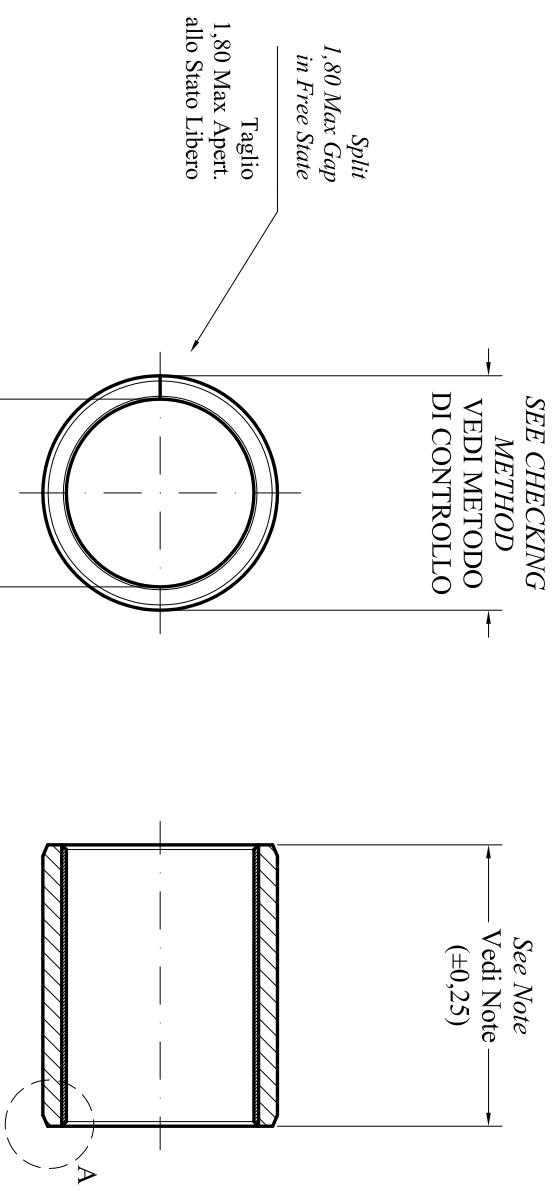


CODE	LENGTH (mm)	Fb (N)	WEIGHT (gr)
TFP303410	10.0	3000	15.4
TFP303415	15.0	4500	22.7
TFP303420	20.0	6000	30.3
TFP303425	25.0	7500	37.8
TFP303430	30.0	9000	45.0
TFP303440	40.0	12000	60.6




SEE CHECKING METHOD VEDI METODO DI CONTROLLO

AFTER ASSEMBLY IN HOUSING 34,00 H7 DOPO MONTAGGIO IN SEDE 34,00 H7

REVISION NO.	RI 16-12-2004	S.N.	
REVISION CHANGE		DATE	16-12-2004
CUSTOMER APPROVAL-DATE		DRAW	
APPROVAZIONE CLIENTE-DATA			
SIGNATURE			
FIRMA			

Checking "A" according ISO 3547-2 (DIN 1494-2)	Controllo "A" secondo ISO 3547-2 (DIN 1494-2)	Q= 34,072 mm	Fb= See Note
Checking "C" according ISO 3547-2 (DIN 1494-2)	Controllo "C" secondo ISO 3547-2 (DIN 1494-2)	z= 0/-0,065 mm	
Housing/Seede	34,000	Shaft/Albero	29,959
	34,025		29,980
Inside Diam. After Ass'y	29,990 / 30,085	Approved/Approv.	

Material/Materiale:	MU (Frimet)		
Material/Materiale:	- Low Carbon Steel Backing - Tin bronze - PTFE Modified - Tin plating		
Scale	Q.ty	Date	16-07-99
Part no/Code	TFP 3034...MU		



**TECHNYMON**

SLIDING BEARINGS

Part name/Descrizione:	SLIDING BEARING	Weight	A4
		See NOTE	1-1

THE INFORMATION CONTAINED IN THIS DRAWING IS THE SOLE PROPERTY OF TECHNYYMON S.R.L. ANY REPRODUCTION IN PART OR WHOLE WITHOUT THE WRITTEN PERMISSION OF TECHNYYMON S.R.L. IS PROHIBITED.