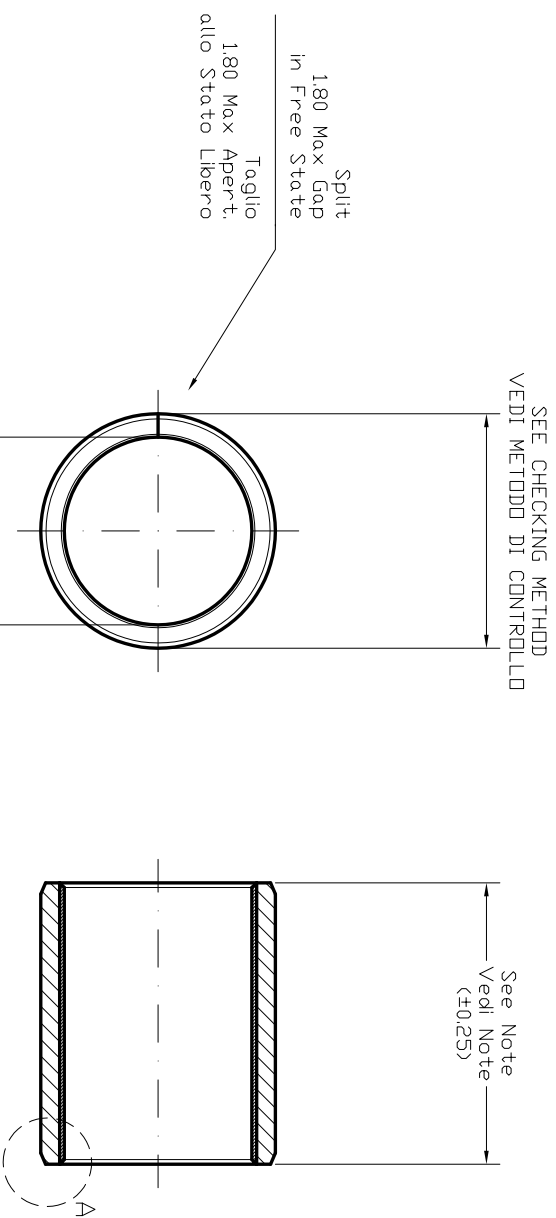
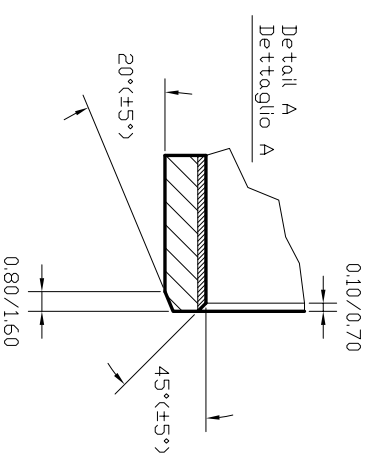


CODE	LENGTH (mm)	F ₀ (N)	WEIGHT (gr)
TFP3220	20.00	5500	32.5
TFP3230	30.00	8500	48.6
TFP3240	40.00	11500	64.2



31.990/32.085
AFTER ASSEMBLY
IN HOUSING 36.000 H7
Dopo MONTAGGIO
IN SEDE 36.000 H7



REVISIONI	ND	CHANGE	DATE	S.N	DRAW
R1		GENERAL REVISION	16-12-2004		
REVISIONI ND :	R1 16-12-2004				
CUSTOMER APPROVAL-DATE					
APPROVAZIONE CLIENTE-DATA					
SIGNATURE	FRIMA				

Checking 'A' according ISD 3547-2 CDIN 1494-2) Controllo 'A' secondo ISD 3547-2 CDIN 1494-2)	Split taglio	F ₀ F ₀ = See Note Z = 0/-0.065 mm	Checking 'C' according DIN 1494 Part 2	Shaft/Albero 31.950	Inside Diam. After Assly Diam. Interno Dopo Assembli. 31.990/32.085
Housing/Seede 36.000				31.975	
Drawn/Disegn	Checked/Contr.	Approved/Approv.			

Material/Materiale:	FRIMET		
-Steel backing -Porous sintered tin bronze -PTFE Modified -Tin plating	Part no/Code	Qty	Date
	TFP 32...		16-07-99

	Part name/Descrizione:	Weight Peso SEE NOTE
	SLIDING BEARING	9
Drawing no./Disegno nr.	A4	
10P032	1-1	

THE INFORMATION CONTAINED IN THIS DRAWING IS THE SOLE PROPERTY OF TECHNYYMON. SRI ANY REPRODUCTION IN PART OR WHOLE WITHOUT THE WRITTEN PERMISSION OF TECHNYYMON SRL IS PROHIBITED.