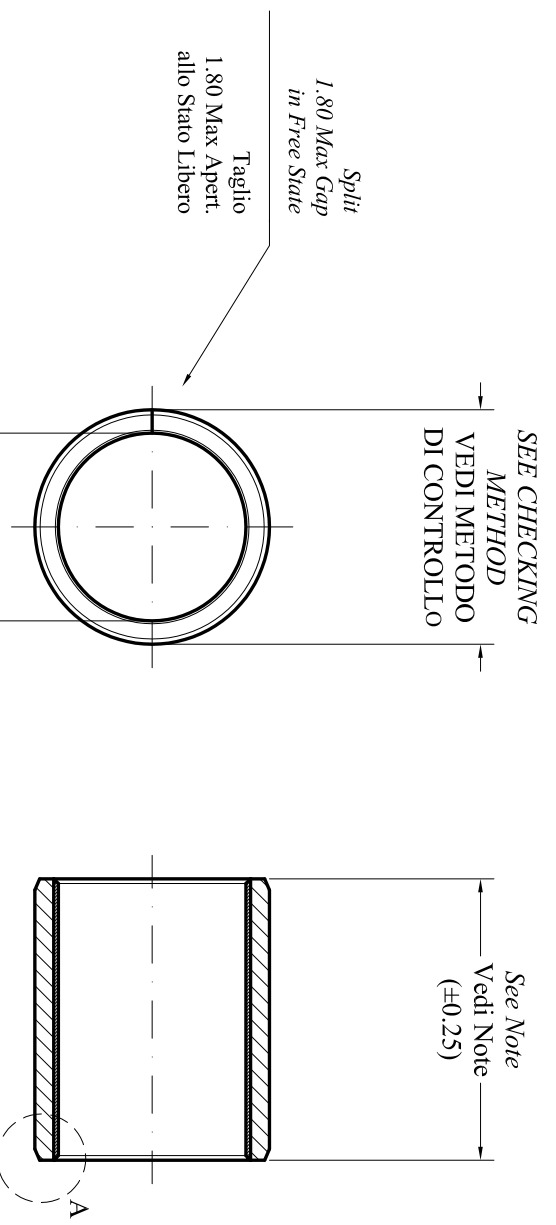
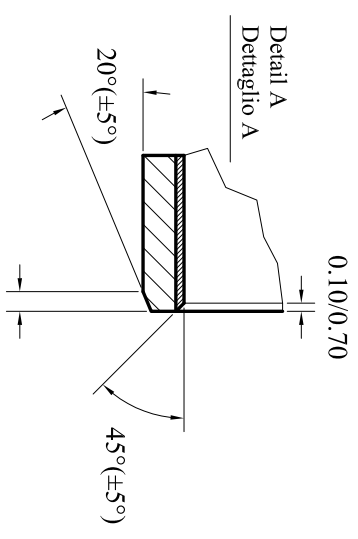


CODE	LENGTH (mm)	Fb (N)	WEIGHT (gr)
TFP4020	20.00	4500	39.5
TFP4030	30.00	7000	59.5
TFP4040	40.00	9500	80.0
TFP4045	45.00	10500	89.2
TFP4050	50.00	11500	99.0



**AFTER ASSEMBLY
IN HOUSING 44.000 H7
DOPO MONTAGGIO
IN SEDE 44.000 H7**



REVISION NO.	RI 16-12-2004	S.N.	
CHANGE		DATE	16-12-2004
REVISION NR.		DRAW	
CUSTOMER APPROVAL-DATE			
APPROVAZIONE CLIENTE-DATA			
SIGNATURE			
FINMA			

Checking "A" according ISO 3547-2 (DIN 1494-2)	Controllo "A" secondo ISO 3547-2 (DIN 1494-2)	Q= 44.072 mm
Checking "C" according ISO 3547-2 (DIN 1494-2)	Controllo "C" secondo ISO 3547-2 (DIN 1494-2)	Fb= See Note
Housing/Seede 44.000	Shaft/Albero 39.950	z= 0/-0.065 mm
44.025	39.975	
Drawn/Disegn	Checked/Contr.	Approved/Approv.

Material/Materiale:	MU (Frimet)
-Low Carbon Steel	
-Sintered Tin Bronze	
-PTFE Modified	
-Tin Plating	
Scale	Qty
Part no/Code	Date
TFP 40...	16-07-99

TECHNYMON
SLIDING BEARINGS

Part name/Descrizione:
SLIDING BEARING

Weight
Peso
SEE NOTE
g

A4

Drawing no./Disegno nr.
10P040

1-1

THE INFORMATION CONTAINED IN THIS DRAWING IS THE SOLE PROPERTY OF TECHNYYMON SRI ANY REPRODUCTION IN PART OR WHOLE WITHOUT THE WRITTEN PERMISSION OF TECHNYYMON SRL IS PROHIBITED.