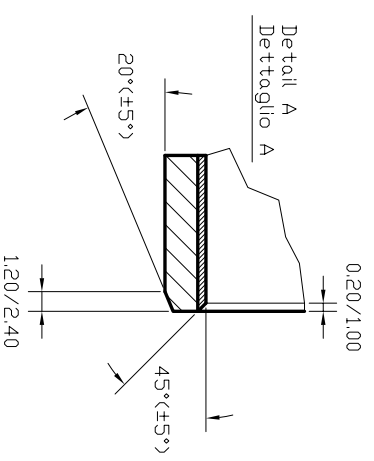
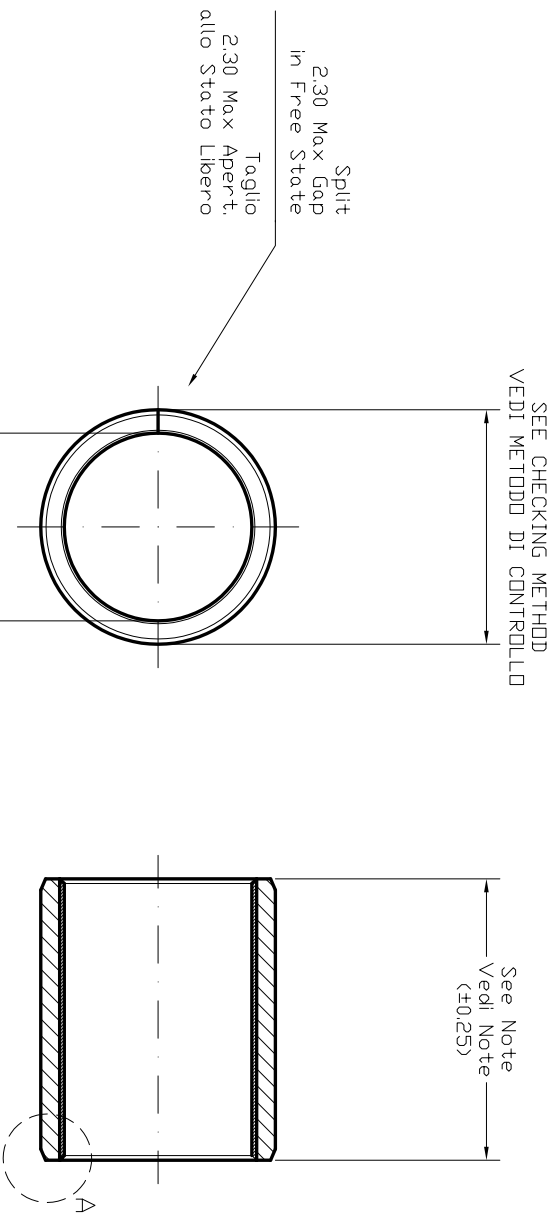


CODE	LENGTH (mm)	F _b (N)	WEIGHT (gr)
TFP4520	20.00	5500	56.6
TFP4530	30.00	8000	85.0
TFP4540	40.00	10500	113.0
TFP4545	45.00	12000	127.0
TFP4550	50.00	13000	141.0



SEE CHECKING METHOD
VEDI METODO DI CONTROLLO

44.990/45.105
AFTER ASSEMBLY
IN HOUSING 50.000 H7
Dopo MONTAGGIO
IN SEDE 50.000 H7

REVISIONI	NO.	CHANGE	DATE	S.N.	DRAW.
R1		GENERAL REVISION	16-12-2004		
REVISIONI	NO.	CHANGE	DATE	S.N.	DRAW.
R1		16-12-2004			

REVISIONI NO.: R1 16-12-2004
CUSTOMER APPROVAL-DATE APPROVAZIONE CLIENTE-DATA

SIGNATURE FIRMA

Checking 'A' according to ISD 3547-2 CDIN 1494-2) Controllo 'A' secondo ISD 3547-2 CDIN 1494-2) Split	q = 50072 mm	F _b = See Note	Z = 0/-0.065 mm
Checking 'C' according to DIN 1494 Part 2	Controllo 'C' secondo DIN 1494 Parte 2		
Housing/Seede 50.000	Shaft/Albero 44.950	Inside Diam. After Assly	44.990/45.105
50.025	44.975	Diam. Interno Dopo Assembl.	
Drawn/Disegn	Checked/Contr.	Approved/Approv.	

Material/Materiale: FRIMET

- Steel backing
- Porous sintered tin bronze
- PTFE Modified
- Tin plating

Scale: Qty: Date: 16-07-99

Part no./Code: TFP 45...

Part name/Descrizione: **SLIDING BEARING**

Weight/Peso: SEE NOTE 9

Part no./Disegno nr.: 10P045

Weight/Peso: SEE NOTE 9

Part no./Disegno nr.: 10P045

Weight/Peso: SEE NOTE 9

THE INFORMATION CONTAINED IN THIS DRAWING IS THE SOLE PROPERTY OF TECHNIMON. ANY REPRODUCTION IN PART OR WHOLE WITHOUT THE WRITTEN PERMISSION OF TECHNIMON SRL IS PROHIBITED.