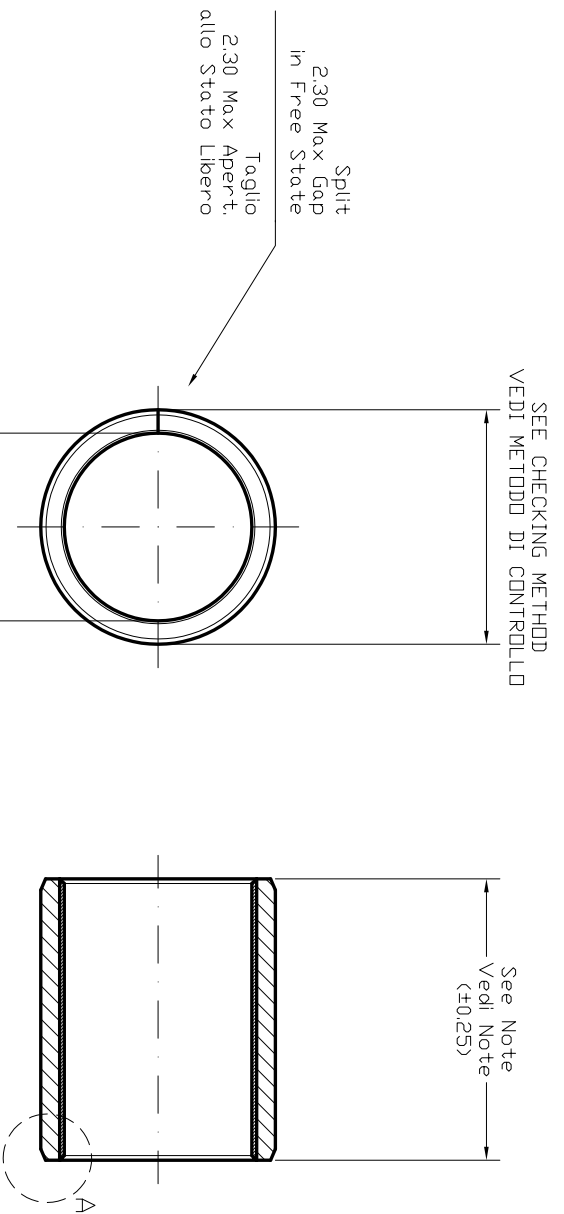
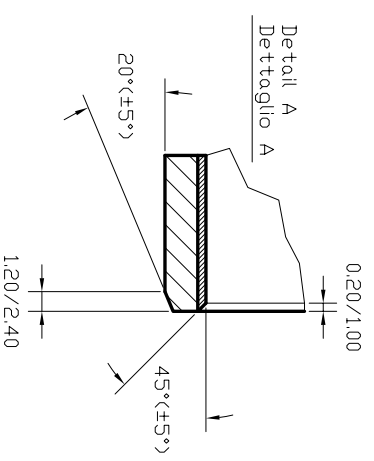


CODE	LENGTH (mm)	F <sub>b</sub> (N)	WEIGHT (gr)
TFP5020	20.00	5000	62.0
TFP5025	25.00	6000	78.3
TFP5030	30.00	7000	93.7
TFP5040	40.00	9500	125.0
TFP5050	50.00	12000	156.2
TFP5060	60.00	14500	187.5



49.990/50.110  
AFTER ASSEMBLY  
IN HOUSING 55.000 H7  
Dopo MONTAGGIO  
IN SEDE 55.000 H7



REVISIONI	NO.	CHANGE	DATE	S.N.	DRAW.
R1		GENERAL REVISION	16-12-2004		
REVISIONI NO.: R1 16-12-2004					
CUSTOMER APPROVAL-DATE					
APPROVAZIONE CLIENTE-DATA					
SIGNATURE					
FIRMA					

Checking 'A' according ISO 3547-2 CDIN 1494-2) Controllo 'A' secondo ISO 3547-2 CDIN 1494-2)	Split taglio	F <sub>b</sub> F <sub>b</sub> = See Note Z = 0/-0.070 mm	Checking 'C' according DIN 1494 Part 2	Shaft/Albero 55.000 49.950 49.975	Inside Diam. After Assly Diam. Interno Dopo Assembli. 49.990/50.110
Housing/Seede 55.000		Controllo 'C' secondo DIN 1494 Parte 2		Approved/Approv.	
Drawn/Disegn		Checked/Contr.		Approved/Approv.	

Material/Materiale:	FRIMET		
-Steel backing -Porous sintered tin bronze -PTFE Modified -Tin plating	Part no/Code	Date	Scale
	TFP 50...	16-07-99	Qty

	<b>TECHNYMON</b> SLIDING BEARINGS	Part name/Descrizione:	Weight Peso
		SLIDING BEARING	SEE NOTE
Drawing no./Disegno nr.		Part no/Code	Weight Peso
10P050		TFP 50...	SEE NOTE
			9
			A4
			1-1

THE INFORMATION CONTAINED IN THIS DRAWING IS THE SOLE PROPERTY OF TECHNIMON. ANY REPRODUCTION IN PART OR WHOLE WITHOUT THE WRITTEN PERMISSION OF TECHNIMON SRL IS PROHIBITED.