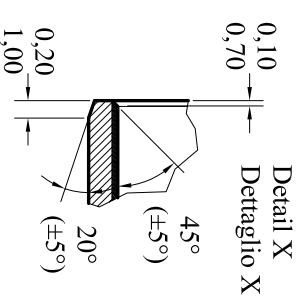
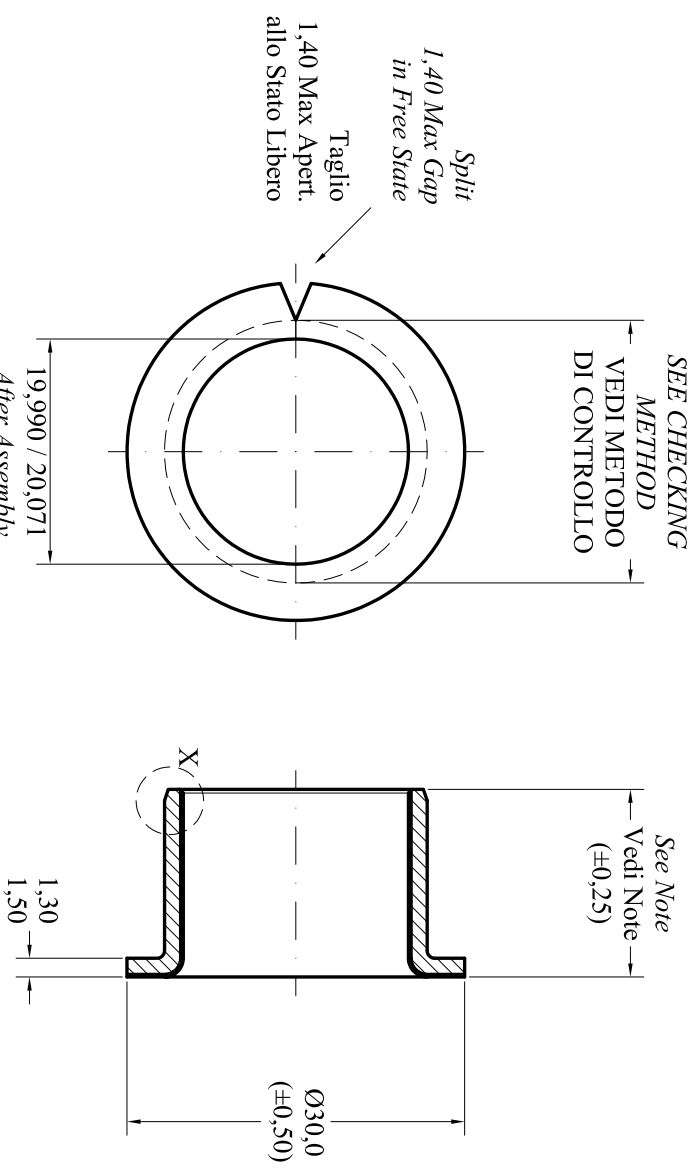


CODE	LENGHT (mm)	WEIGHT (gr)
TFE202311.5	11,5	10,0
TFE202316.5	16,5	15,2
TFE202321.5	21,5	19,6



Drawn/Disegn		Checked/Contr.		Material/Materiale:		MU (Frimet)		Description/Descrizione:		Weight Peso g See Note	
Checking "C" accord. ISO 3547-2 (DIN1494-2) Controllo "C" secondo ISO 3547-2 (DIN1494-2)		19,990 / 19,980		- Low Carbon Steel Backing - Tin Bronze - PTFE Modified - Tin Plating		19-07-99		FLANGED SLIDING BEARING		A4	
HOUSING SEDE		23,000 / 23,021		Scale		Date		Drawing no./Disegno nr.		1-1	
SCHAFT ALBERO		19,959 / 19,980		Part no./Code		TFE202330...MU		10F020			
INSIDE DIAMETER DIAMETRO INTERNO DOPO MONTAGGIO		19,990 20,071		MU (Frimet)				TECHNYMON SLIDING BEARINGS			
CUSTOMER APPROVAL-DATE APPROVAZIONE CLIENTE-DATA				Scale		Date		Drawing no./Disegno nr.		1-1	
SIGNATURE FIRMA				Part no./Code		TFE202330...MU		10F020			
THE INFORMATION CONTAINED IN THIS DRAWING IS THE SOLE PROPERTY OF TECHNYYMON srl ANY REPRODUCTION IN PART OR WHOLE WITHOUT THE WRITTEN PERMISSION OF TECHNYYMON SRL IS PROHIBITED.				Part no./Code		TFE202330...MU		10F020			