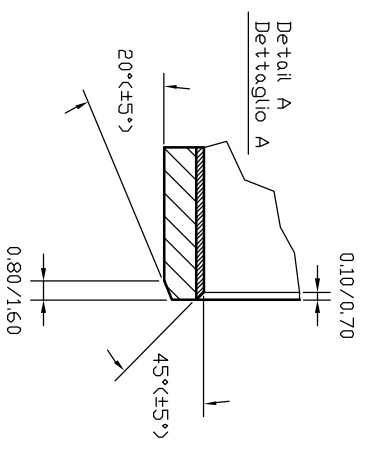
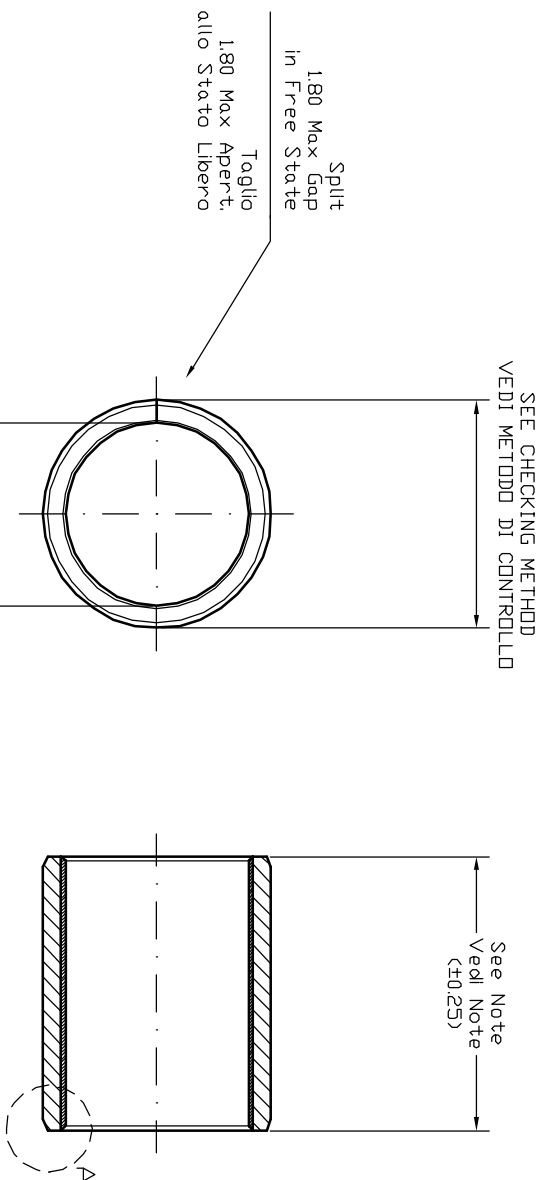


CODE	LENGTH (mm)	F ₀ (N)	WEIGHT (gr)
TFP3520	20.00	5000	35.0
TFP3530	30.00	8000	52.4
TFP3535	35.00	9000	61.0
TFP3540	40.00	10500	70.0
TFP3550	50.00	13000	87.3



REVISIONE NR. 1	16/12/2004	S.V.
REVISIONE NR. 2	16/12/2004	DRAM
REVISIONE NR. 3		
REVISIONE NR. 4		
REVISIONE NR. 5		
REVISIONE NR. 6		
REVISIONE NR. 7		
REVISIONE NR. 8		
REVISIONE NR. 9		
REVISIONE NR. 10		

Checking 'A' according to ISO 3847-2 (DIN 1494-2) Controllo 'A' secondo ISO 3847-2 (DIN 1494-2) taglio	Q = 39.072 mm F ₀ = See Note z = 0/-0.065 mm	
Checking 'C' according to DIN 1494 Part 2	Controllo 'C' secondo DIN 1494 Parte 2	
Housing/Seede 39.000	Shaft/Albero 34.950	Inside Diam. After Assly Diam. Interno Dopo Assembli. 34.990/35.085
39.025	34.975	
Drawn/Disegn	Checked/Contr.	Approved/Approv.

Material/Materiale:	FRIMET	
-Steel backing -Porous sintered tin bronze -PTFE Modified -Tin Plating		
Scale	Qty	Date
Part no/Code	TFP 35...	16-07-99

Part name/Descrizione:
SLIDING BEARING

Weight
Peso
SEE
NOTE
9

Part no/Code
10P035

Drawing no./Disegno nr.
A4
1-1

THE INFORMATION CONTAINED IN THIS DRAWING IS THE SOLE PROPERTY OF TECHNIMON S.R.L. ANY REPRODUCTION IN PART OR WHOLE WITHOUT THE WRITTEN PERMISSION OF TECHNIMON S.R.L. IS PROHIBITED.