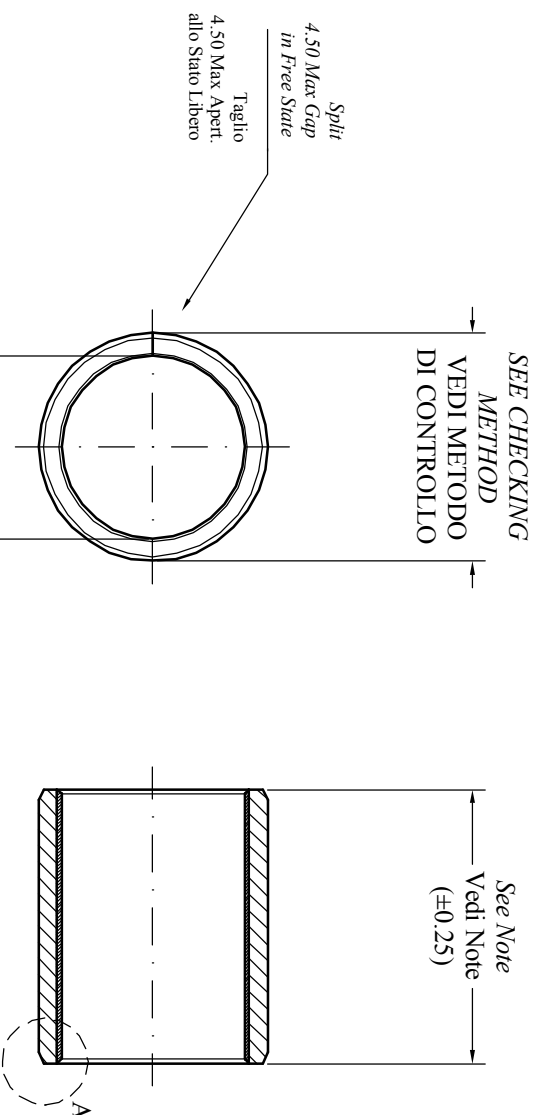
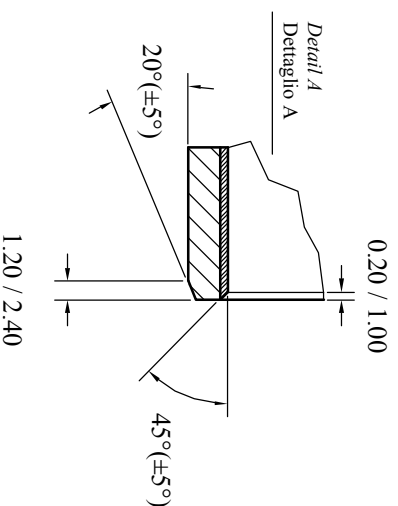


CODE	LENGTH (mm)	Fb (N)	WEIGHT (gr)
TFP9060	60.00	16500	330.2
TFP90100	100.00	28000	550.3



**AFTER ASSEMBLY
IN HOUSING 95.000 H7
DOPO MONTAGGIO
IN SEDE 95.000 H7**



REVISION NO.	CHANGE	DATE	S.N.
R1	GENERAL REVISION	16.12.2004	
REVISION NO.	CHANGE	DATE	S.N.
R1	16.12.2004		
CUSTOMER APPROVAL-DATE	APPROVAZIONE CLIENTE-DATA		
SIGNATURE	FRMA		

Checking "A" according ISO 3547-2 (DIN 1494-2)	Controllo "A" secondo ISO 3547-2 (DIN 1494-2)	Q= 95.095 mm Fb= See Note z= 0/-0.080 mm
Checking "C" according ISO 3547-2 (DIN 1494-2)	Controllo "C" secondo ISO 3547-2 (DIN 1494-2)	
Housing/ Sede	Shaft/ Albero	Inside Diam. After Ass. / Diam. Interno Dopo Assembl.
95.000	89.946	90.020/90.155
95.035	90.000	
Drawn /Disegn	Checked/ Contr.	Approved / Approv.

Material / Materiale:	MU (Frimet)
-Steel Backing -Sintered Tin Bronze -PTFE Modified -Tin Plating	
Scale	Qty
1:1	TFP 90...
Date	16-07-99

TECHNYMON
SLIDING BEARINGS

Part name / Descrizione:
SLIDING BEARING

Drawing no. / Disegno nr.
10P090

Weight
Peso
SEE NOTE
g
A4
1-1

THE INFORMATION CONTAINED IN THIS DRAWING IS THE SOLE PROPERTY OF TECHNYYMON srl ANY REPRODUCTION IN PART OR WHOLE WITHOUT THE WRITTEN PERMISSION OF TECHNYYMON S.R.L.S IS PROHIBITED.