

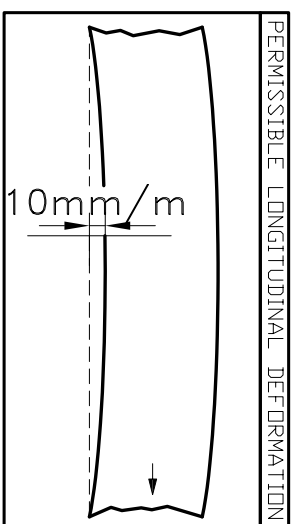
**MATERIAL COMPOSITION**

- Steel backing: 0.8±0.03 mm
- Cu (connection layer): 1~3µm
- Bronze layer: 0.20~0.35 mm
- PTFE (free on surface): 0.02~0.05 mm medium value

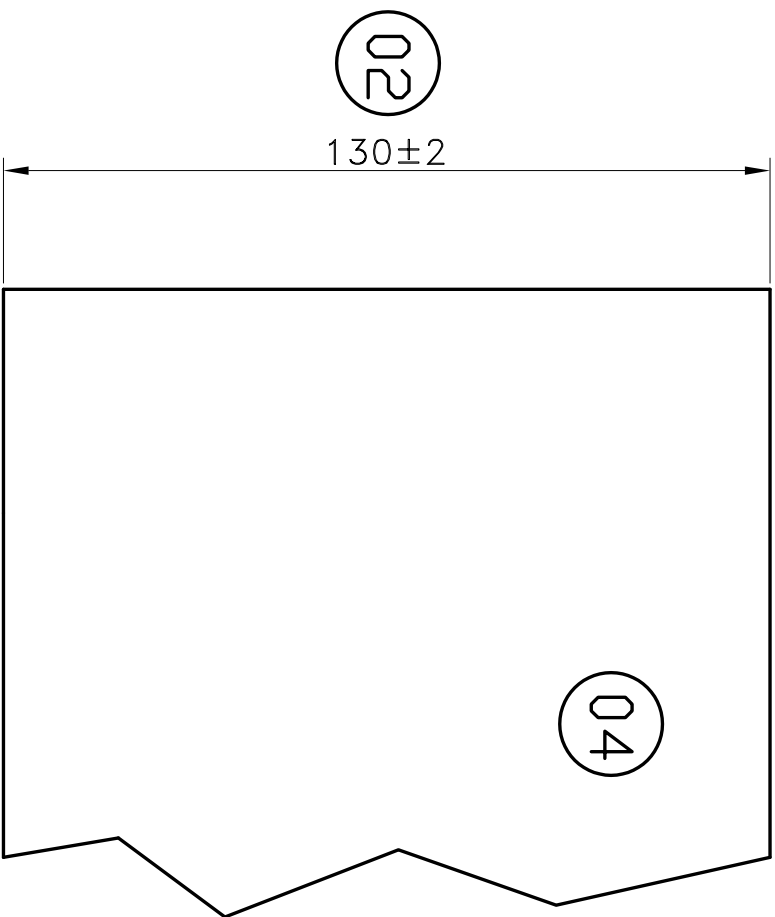
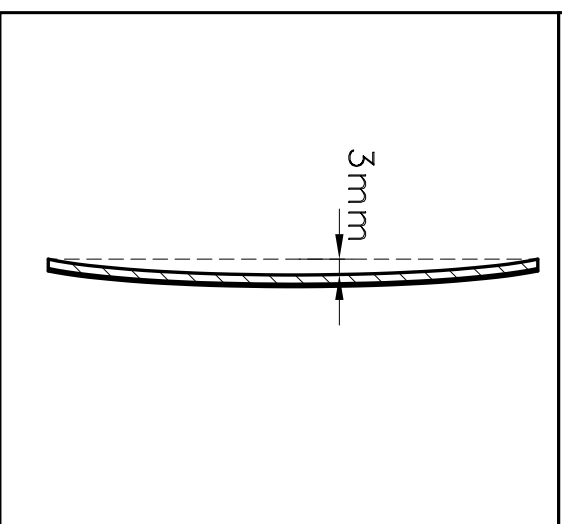
Controllo qualità secondo  
P.D.C. 08

03

1.10±0.02



PERMISSIBLE CROSS-SECTIONAL DEFORMATION



Burrs on the edge

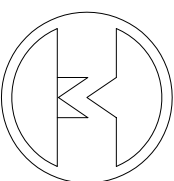
04			
03			
02			
01			
NO	CHANGE	DATE	DRAW
REVISION NO.:			
REVISIONE NR.:			
CUSTOMER APPROVAL-DATE			
APPROVAZIONE CLIENTE-DATA			
SIGNATURE			
FIRMA			

Drawn/Disegn

Boni A.

Checked/Contr.

Approved/Approv.



**TECHNYMON**  
**SLIDING BEARINGS**

Scale

Qty

Date

Part no./Code

14-04-2006



Drawing no./Disegno nr.

012S1300A777

A4

THE INFORMATION CONTAINED IN THIS DRAWING IS THE SOLE PROPERTY OF TECHNYMON srl ANY REPRODUCTION IN PART OR WHOLE WITHOUT THE WRITTEN PERMISSION OF TECHNYMON srl IS PROHIBITED.