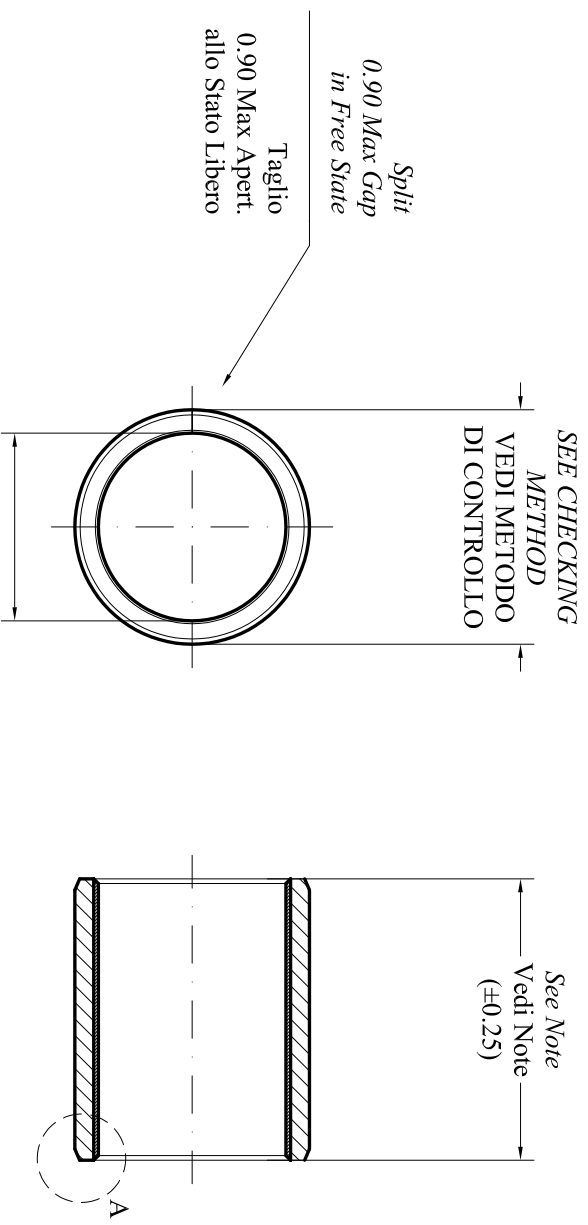


CODE	LENGTH (mm)	Fb (N)	WEIGHT (gr)
TFP0806	6.00	1300	1.2
TFP0808	8.00	1500	1.6
TFP0810	10.00	2000	2.0
TFP0812	12.00	2500	2.4



SEE CHECKING METHOD VEDI METODO DI CONTROLLO

7.990/8.055

AFTER ASSEMBLY IN HOUSING 10.000 H7 DOPO MONTAGGIO IN SEDE 10.000 H7

NO.	CHANGE	DATE	S.N.	DRAW
R1	GENERAL REVISION	16-12-2004		
REVISION NO.: R1 / 16-12-2004				
REVISION MR.: CUSTOMER APPROVAL-DATE APPROVAZIONE CLIENTE-DATA				
SIGNATURE FIRMA				

Checking "A" according ISO 3547-2 (DIN 1494-2)	Controllo "A" secondo ISO 3547-2 (DIN 1494-2)	Q= 10,049 mm Fb= See Note z= 0/-0,055 mm
Checking "C" according ISO 3547-2 (DIN 1494-2)	Controllo "C" secondo ISO 3547-2 (DIN 1494-2)	
Housing/Seede 10.000	Shaft/Albero 7.972	Inside Diam. After Ass. ly 7.987
10.015	7.987	Diam. Interno Dopo Assembli. 7.990/8.055
Drawn/Disegn	Checked/Contr.	Approved/Approv.

Material/Materiale:	Mu (Frimet)
-Low Carbon Steel Backing	
-Sintered Tin Bronze	
-PTFE Modified	
-Tin Plating	
Scale	Q.ty
Part no/Code	Date
TFP 08...	15-07-99

Part name/Descrizione: **SLIDING BEARING**

TECHNYMON
SLIDING BEARINGS

Weight Peso SEE NOTE g

A4

Drawing no./Disegno nr. **10P008**

1-1

THE INFORMATION CONTAINED IN THIS DRAWING IS THE SOLE PROPERTY OF TECHNYYMON S.R.L. ANY REPRODUCTION IN PART OR WHOLE WITHOUT THE WRITTEN PERMISSION OF TECHNYYMON S.R.L IS PROHIBITED.